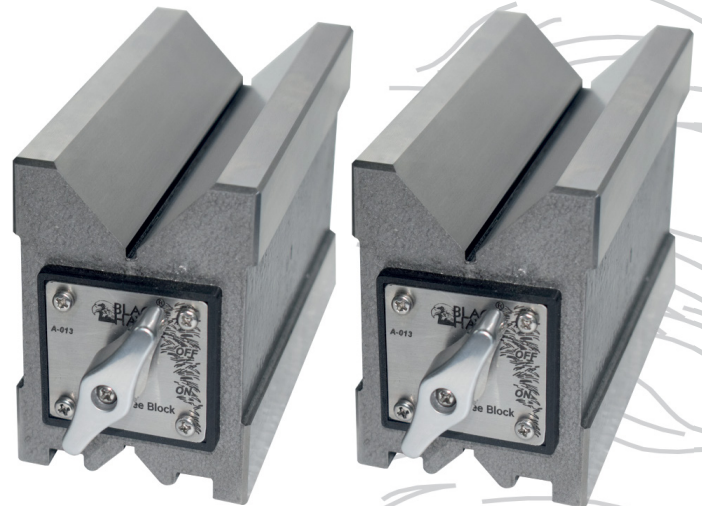
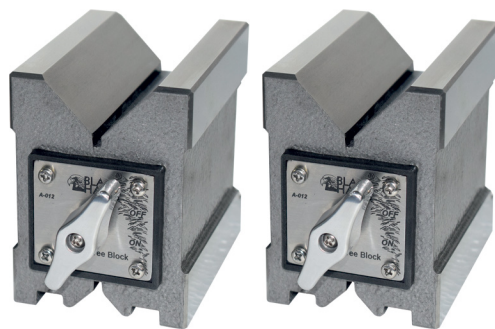


MAGNETIC "V" BLOCKS

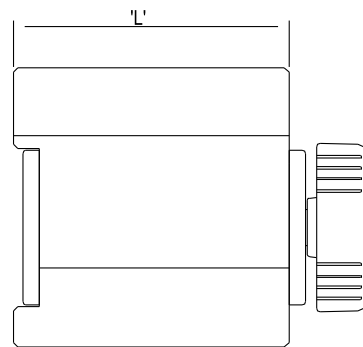
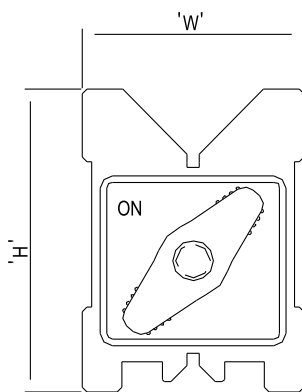
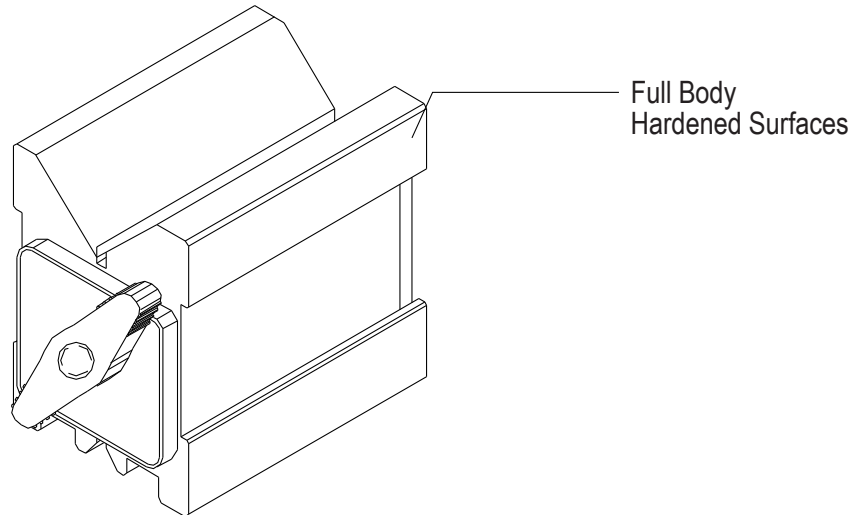


Features :

- Fine Precision Finish
- Lifetime Re-grindable
- Hardened and Grounded Sides
- Full body Hardened @58HRC ± 2
- Accuracy in Flatness Squareness Parallelism
- On/Off Knob in metal
- Supplied in Matched Pair
- Uniform Magnetic Strength
- Smooth On/Off Operations
- Customized Sizes can be manufactured at request

APPLICATIONS

Grinding, Light milling, Drilling, Die Polishing.
Inspection of Round and Square Jobs



| Model No. | Product Size (L x W x H) mm | Holding Sizes mm | Pulling in Kgs. | Weight in (For Pairs) Kgs. |
|--------------|-----------------------------|------------------|-----------------|----------------------------|
| A 010 (Hard) | 40 x 40 x 55 | Ø 3 - Ø 25 | 30 | 2 |
| A 011 (Hard) | 75 x 55 x 75 | Ø 5 - Ø 40 | 70 | 3.5 |
| A 012 (Hard) | 100 x 70 x 100 | Ø 5 - Ø 65 | 100 | 8 |
| A 013 (Hard) | 150 x 75 x 100 | Ø 5 - Ø 70 | 125 | 12 |
| A 014 (Hard) | 200 x 125 x 150 | Ø 10 - Ø 140 | 175 | 45 |

Blackhawk Engineers

S.F. No 349, Mookambigai Nagar,
(Near Vadaku Thottam), Ganapathy,
Coimbatore - 641 006. Mobile : 93676 67996
E-mail : blackhawkengg@gmail.com