

PG900 Series

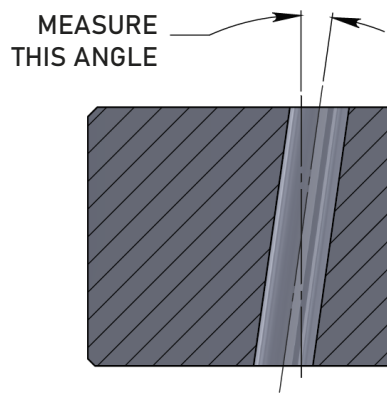
Perpendicularity Gage

TRULOK
PRECISION MEASURING INSTRUMENTS



WITH CLOSE FITTED QUICK CONNECTING PROBES

A high precision digital gage for quick and accurate measurement of hole perpendicularity. The PG900 gage features accuracy and versatility unsurpassed by any other hand-held gage. Interchangeable bases and probes allow for many angle measuring applications. SPC can be automatically applied and collected for hole perpendicularity (angularity) measurement. This gage can be used with ease and confidence throughout the entire manufacturing and quality inspection processes.



Angle:	0.0° - 5.0°
Diameter:	.0500" - 1.500" (interchangeable probes)
Accuracy:	±0.1 decimal degree (6 minutes)
Resolution:	0.1 decimal degree (6 minutes)
Repeatability:	0.1 decimal degree (6 minutes)
Weight:	2.2 lbs / 1.0 kg

FEATURES

Measuring range 0.0 to 5.0 degrees

Easy to use, fast, accurate, and repeatable

- Measures the angle between hole and top surface
- No special preparations required, just place and read
- Ideal for machine setups and quality inspection

Works on flat and curved surfaces

- Different base configurations available for curved surfaces

Works through drilling templates

- Custom designed base and probe configurations

Ideal for SPC

- SPC data collection ready via data port cable

Quick connecting/disconnecting hole probes

- Dimensional selection from $\varnothing 0.0500"$ to $\varnothing 1.5000"$ in 0.0005" increments
- Metric sizes available

Interchangeable bases

- Small quad-pod base - standard
- Tri-pod base
- Bi-pod base

Set-block calibrated to NIST-traceable standards

- Quick check of gage functionality and accuracy

Serial numbers included on all gages, indicators, and set blocks



DIGITAL INDICATOR'S FEATURES

- LCD display with rotating bezel
- Inch/mm mode toggle capable
- SPC data output ready via data port
- Upper and lower tolerance capable
- Wireless transmission & Bluetooth compatible

Basic gage: Quadpod (QPB)
3.0° angle block (MPO-2500-3)

ORDERING INFORMATION:

PG900-2-1

PBM-XXXX-XX

Solid probe (Example: PB-1875-32,
PBM-1255-25 metric size)

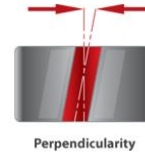
METRIC **PROBE DIAMETER** **DIAMETER LENGTH**
(expressed in thousands of an inch) (expressed in 32^{nds} of an inch or mm)

PBMK5-XXXX-XX

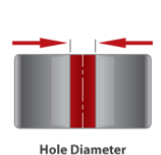
Solid probes kit (in inch or mm increments)

METRIC **INCREMENT VALUE** **SMALLEST PROBE DIAMETER** **NUMBER OF PROBES IN THE KIT**
(5=.0005", 13=.013mm)

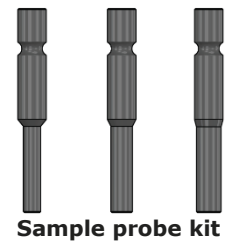
Complete table Perpendicularity Application



Hole diameter and tolerance



Example hole 1	Ø.191" ±.002



Gage base configurations:

- QPB** Standard quad-pod base
- TPB** Standard size tri-pod base
- BPB** Standard size bi-pod base
- TTPG-1-1** Special tri-pod base, good for curved surfaces
- TTPG-1-2** Special tri-pod base, good for curved surfaces
- TTPG-1-3** Special knurled tri-pod base, good for curved surfaces
- QPPG-1-48** Special size quad-pod base, good for curved surfaces
- QPPG-1-32** Special size quad-pod base, good for curved surfaces

